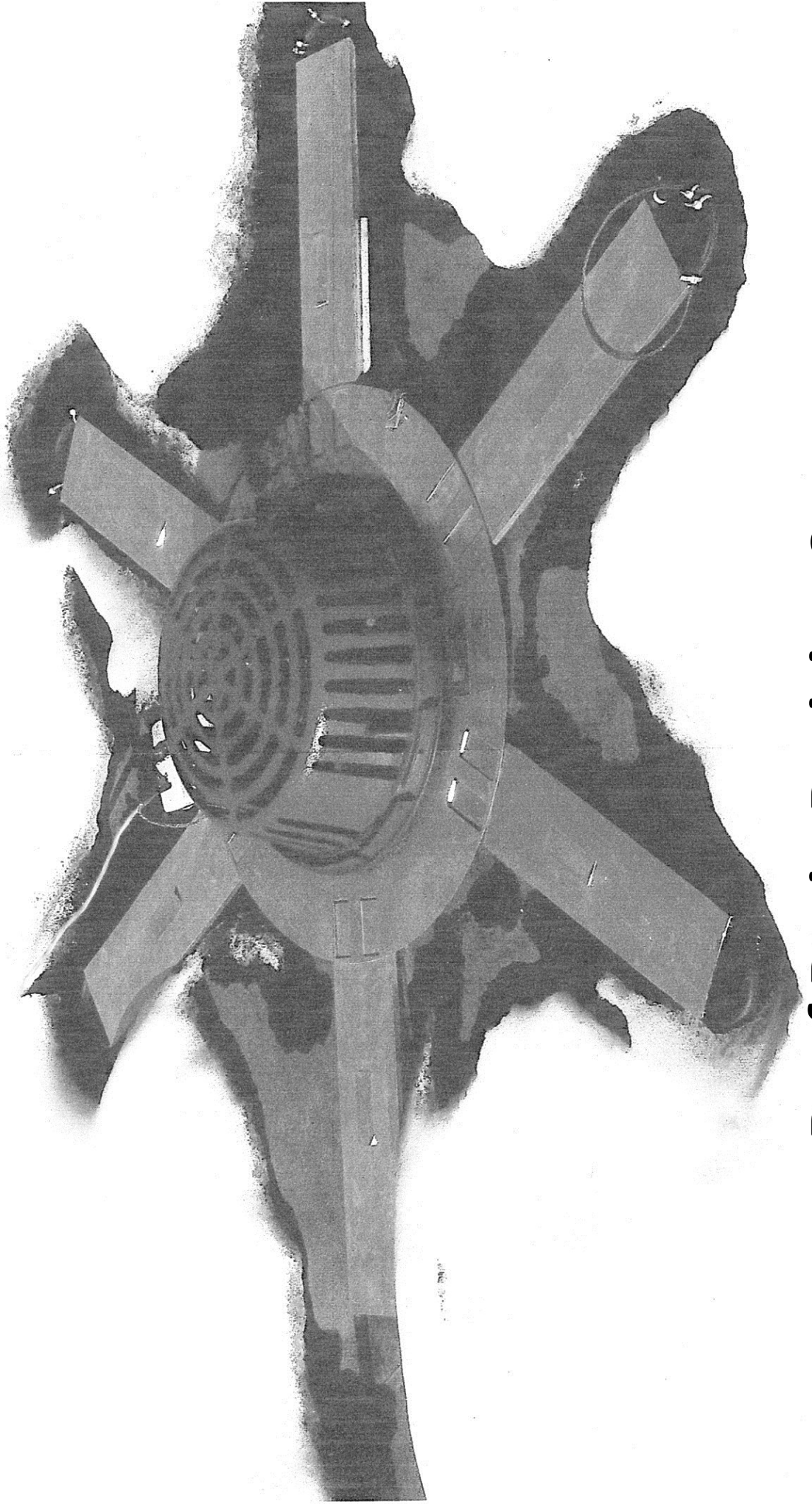


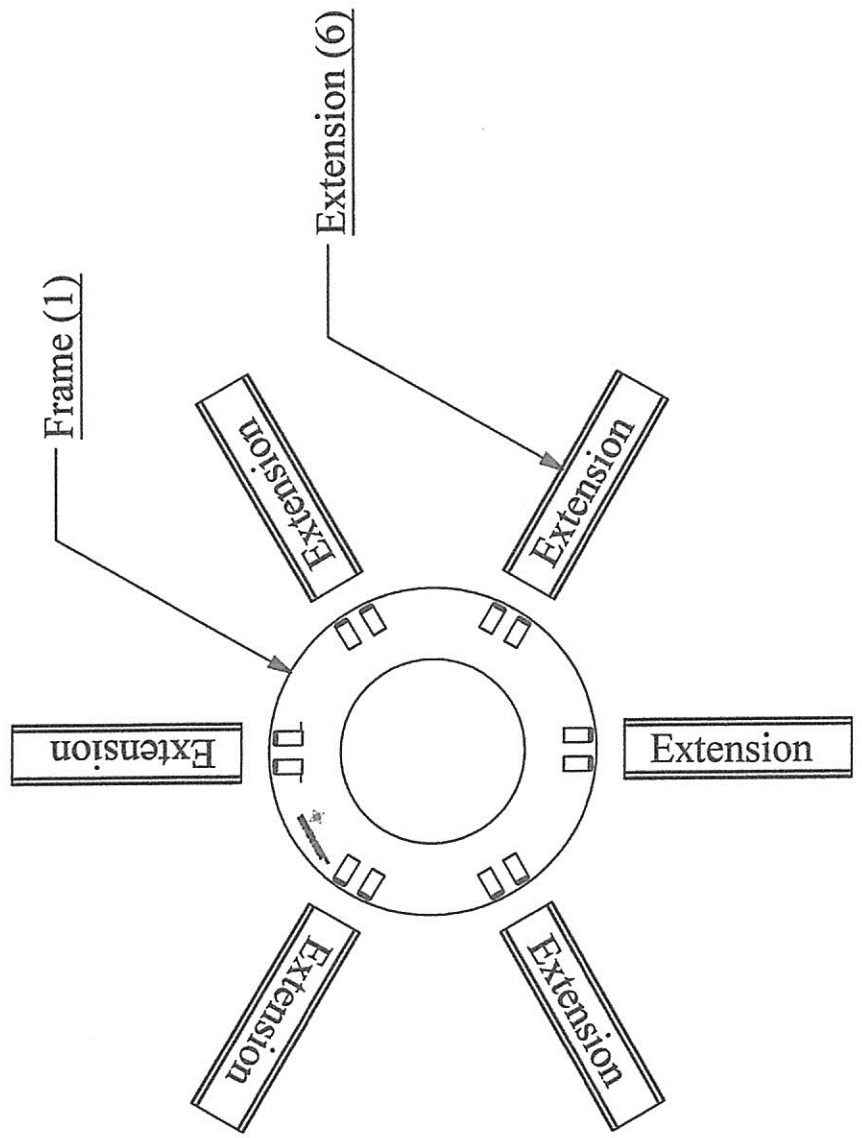
HEAT TRACE SPECIALISTS



Roof Drain De-icing System

ROOF DRAIN DE-ICING SYSTEM

PRODUCT USER'S GUIDE



1-Remove Dome

Overflow Drain

Roof Membrane

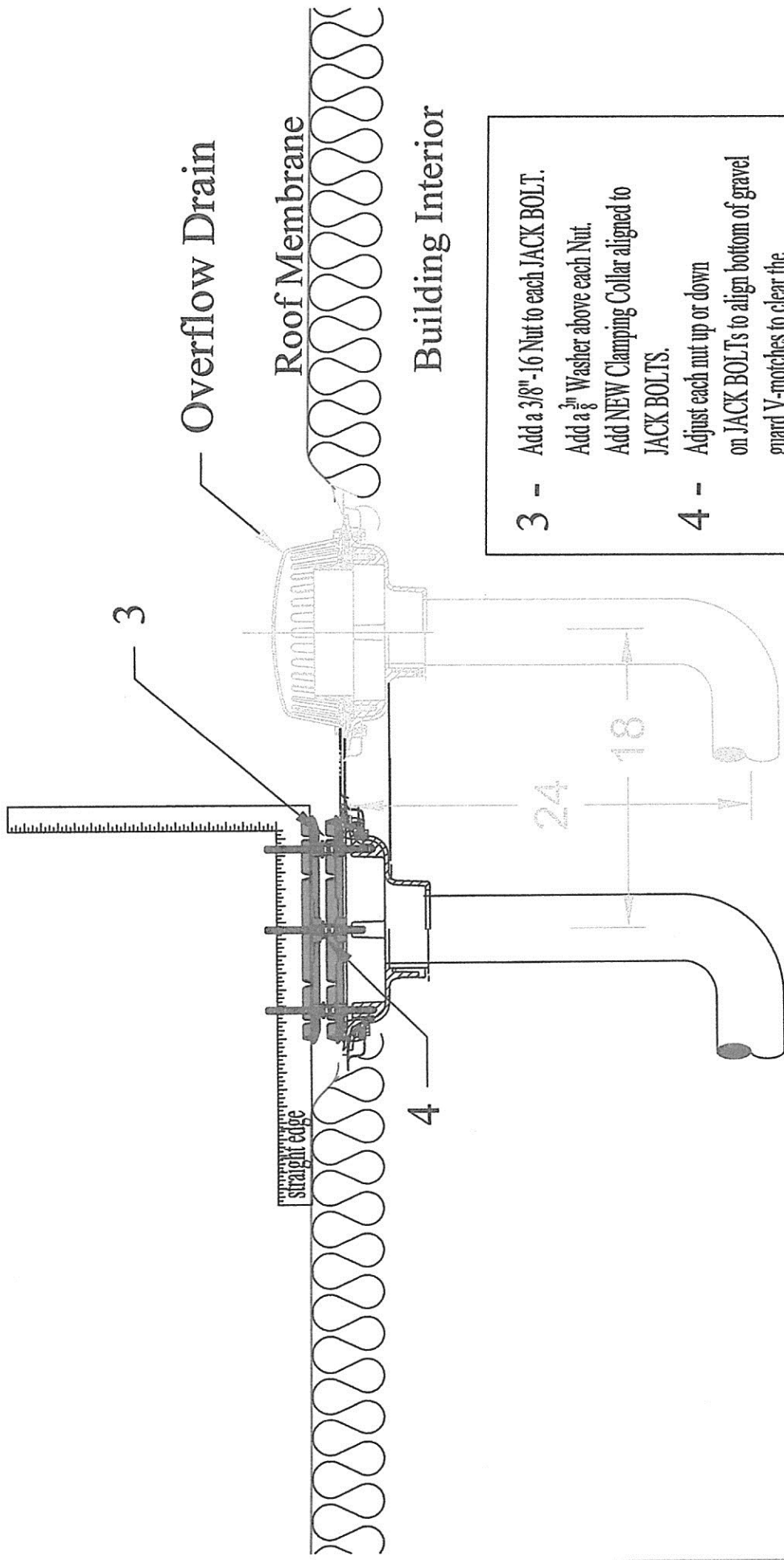
Building Interior

2 - Remove 3/8"X16-2" Bolts(4-ea)
One by one replace with four
3/8"X16-5" All-Thread JACK
BOLTS provided. Add Nut and
washer then Tighten equal to orig.
DO NOT OVER TIGHTEN

24
18

ELEVATION VIEW
STEP - 1 and 2

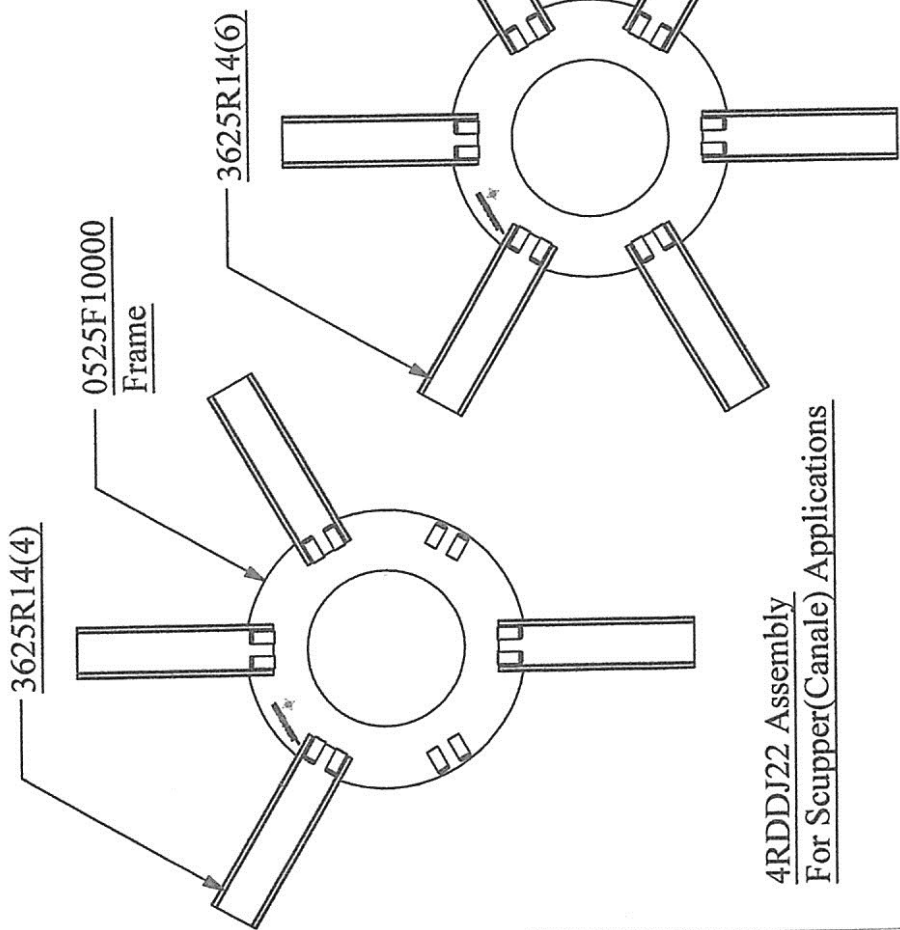




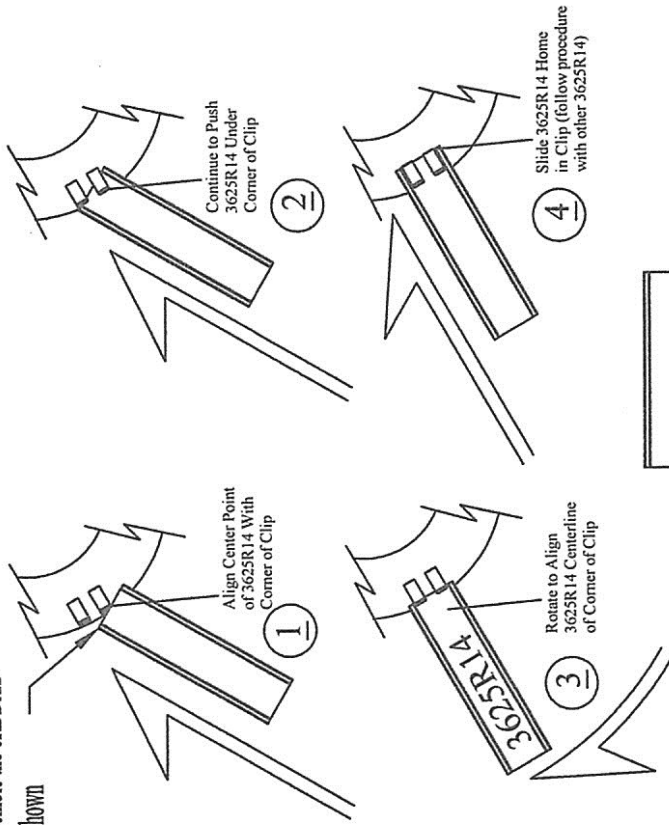
- 3 - Add a 3/8" - 16 Nut to each JACK BOLT.
Add a 3/8" Washer above each Nut.
Add NEW Clamping Collar aligned to JACK BOLTS.
- 4 - Adjust each nut up or down on JACK BOLTS to align bottom of gravel guard V-motches to clear the roof level (use straight edge.)

ELEVATION VIEW
STEP - 3 and 4





5 - Assemble the 6RDDJ22 as shown



4RDDJ22 Assembly
For Scupper(Canale) Applications

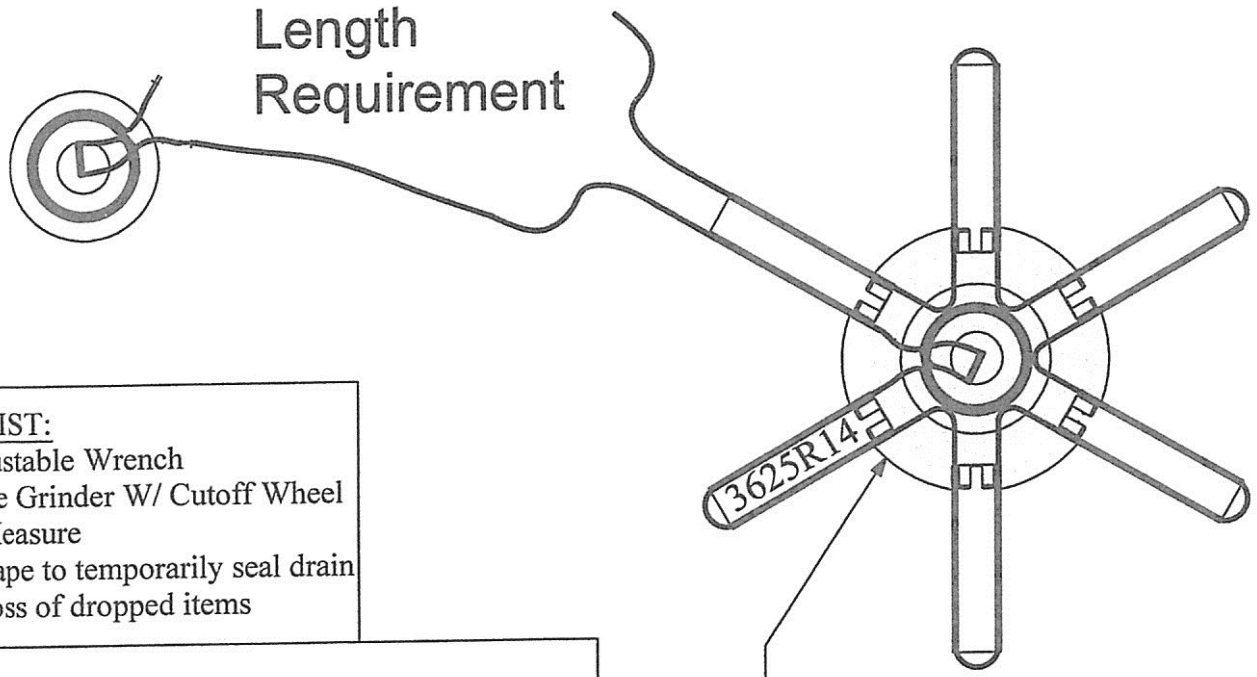
UNDERSIDE VIEW
STEP - 5

6RDDJ22 Assembly
For Roof Drain Applications

UNDERSIDE VIEW
STEP - 5



SR-Trace Length Requirement



UNDERSIDE VIEW
STEP - 6

- TOOL LIST:**
- 6" Adjustable Wrench
 - 4" Angle Grinder W/ Cutoff Wheel
 - Tape Measure
 - Duct Tape to temporarily seal drain from loss of dropped items

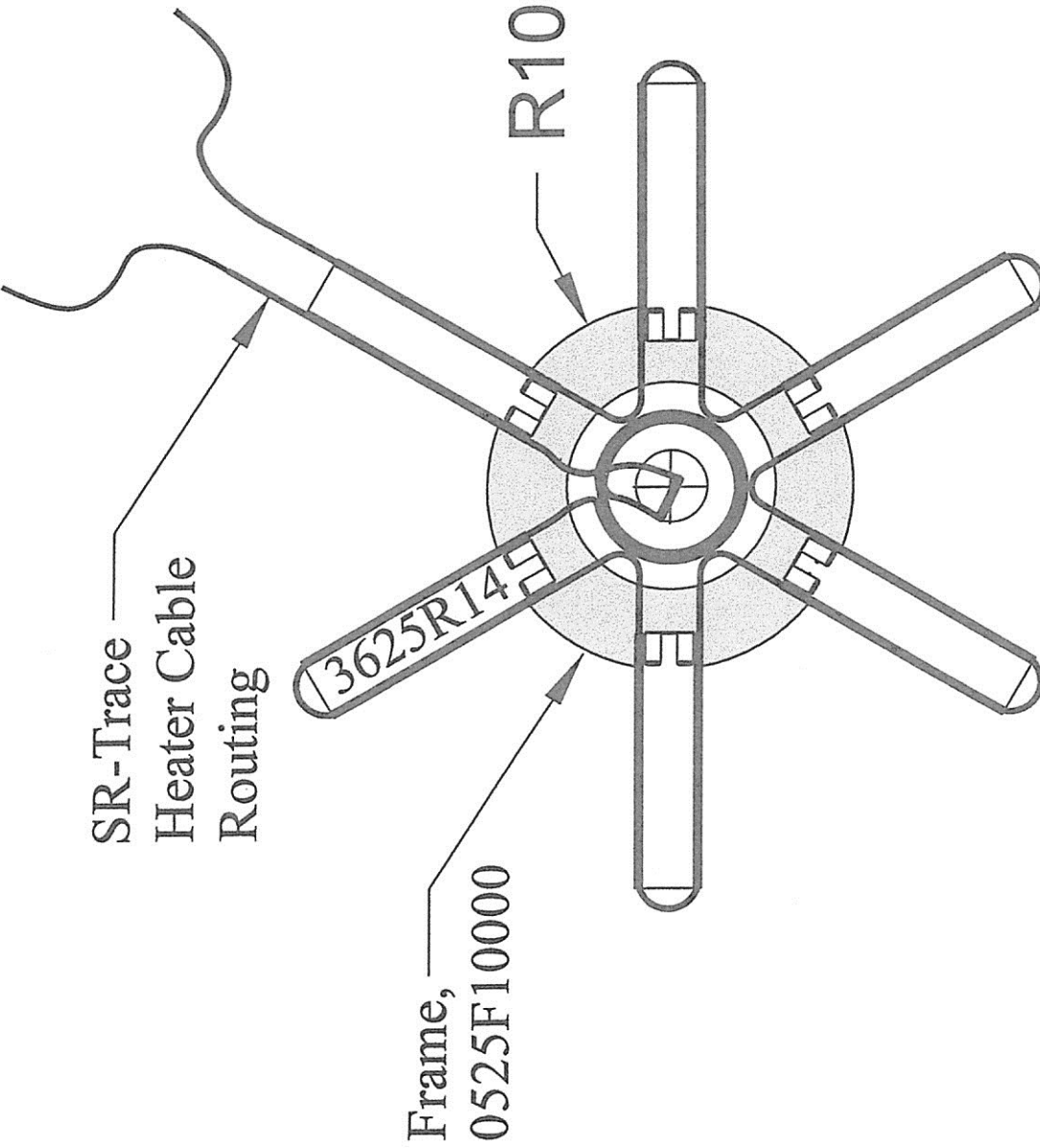
Voltage Options: 120 / 208 / 240 / 277V
Voltage Selection: _____

Cable Product Selection:
Mfgr: _____
Model: _____

<u>Cable Length Calculation</u>	
6RDDJ22 Cable Length-----	20-LF
ADD 2X Down Primary Drain to Warm Zone-----	V-LF
ADD 2X Down Overflow Drain to Warm Zone---	W-LF
ADD 1X Cable Length 6RDDJ22 to J-Box -----	X-LF
ADD 1X Cable Length between Drains-----	Y-LF
ADD 1X Cable Wrap Inside Prim & O.F. Drains -	Z-LF
TOTAL Cable Length is (25+V+W+X+Y+Z) -----	?-LF

- 6RDDJ2210
-Roof Drain De-Icing Jig With Heater Cable Routed
-3625R14 (6)-ea May Be Shortened To Avoid Structural Obstructions Before Cable Installation
-Make Cuts with 4" Grinder w/cutoff wheel and de-bur the cuts

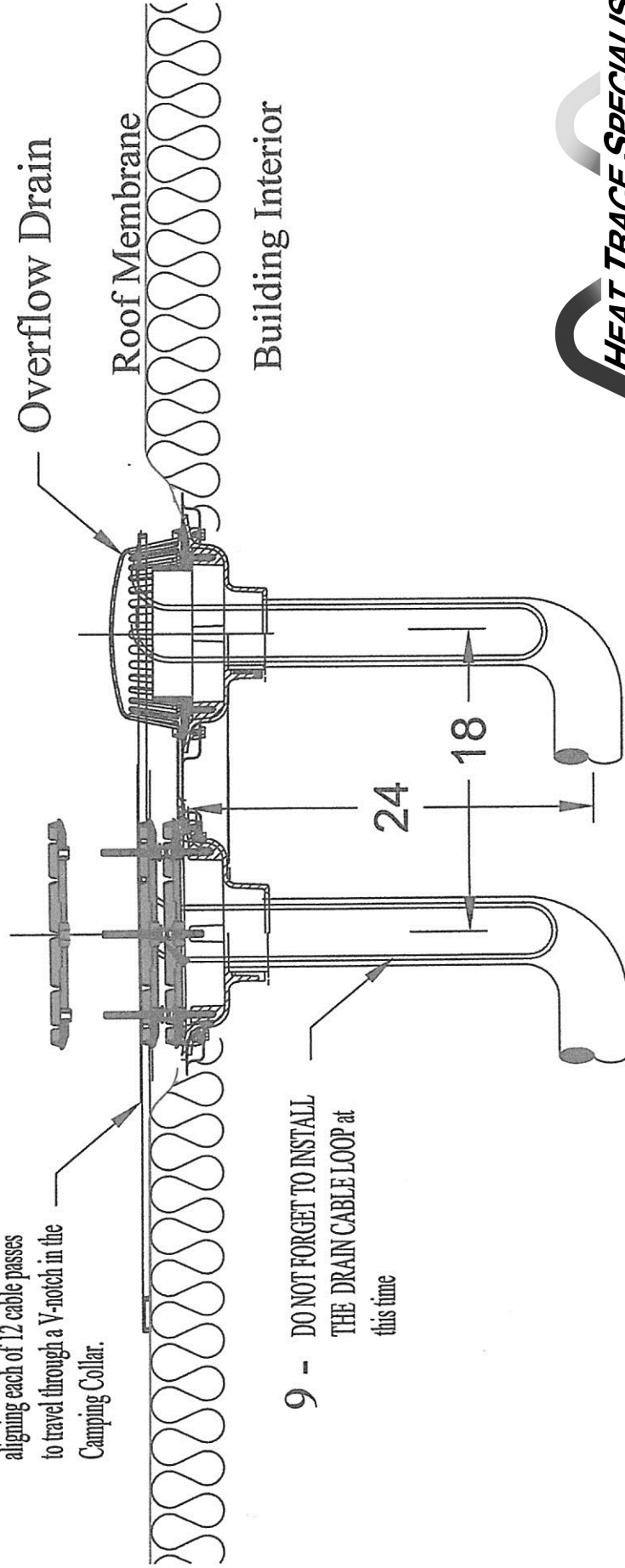




UNDERSIDE VIEW
STEP - 7



- 8 - Install the cabled 6RDDJ22 Cable Side DOWN on top of Clamping Collar aligning each of 12 cable passes to travel through a V-notch in the Clamping Collar.



ELEVATION VIEW
STEP - 8 and 9



10- Add the THIRD Clamping Collar to the assembly as shown - Add remaining Washers followed by Nuts - SNUG UP the Nuts Minimally

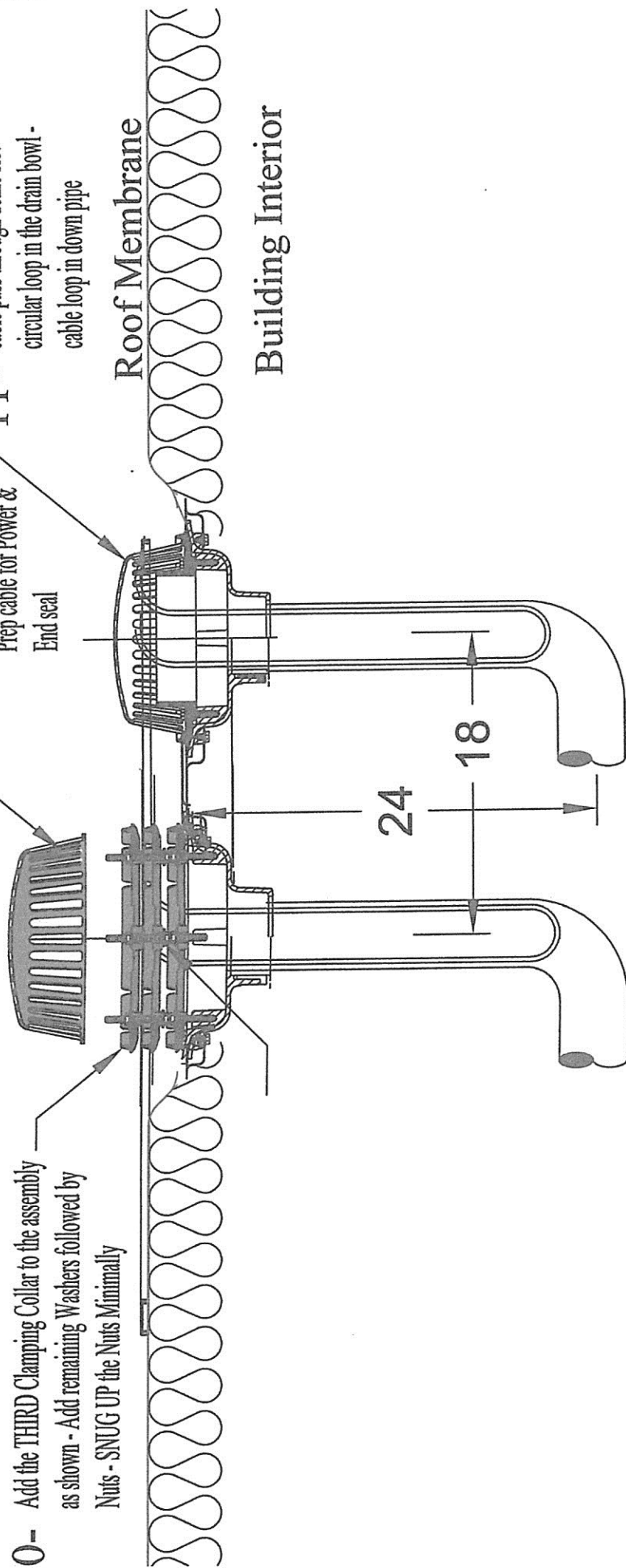
12 - Re-Install Domes -
Prep cable for Power &
End seal

11 -

Cable Overflow Drain as shown
cable pass through dome slot -
circular loop in the drain bowl -
cable loop in down pipe

Roof Membrane

Building Interior



ELEVATION VIEW
STEP - 10 , 11 and 12



NOTE: Large SR-TRACE Loop
for MSG-1 installation, 10-inch
SR-TRACE to form loop

GC-1 Control
Module

MSG-1

Complete Assembly
Part # 6RDDJ22
22 Ga. Sheet Metal

Do Not Allow Metallic MSG-1
Sensor Cable to Touch RDDJ22
Metals

Moisture Sensor
Retainer Cable Ties

Moisture Sensor, Do Not
allow to touch metals

Cable Ties (as required)

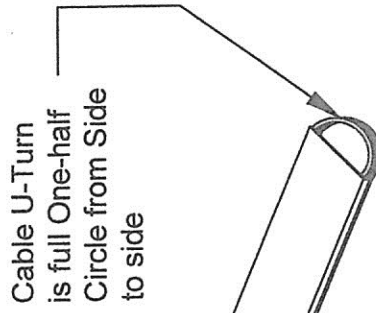
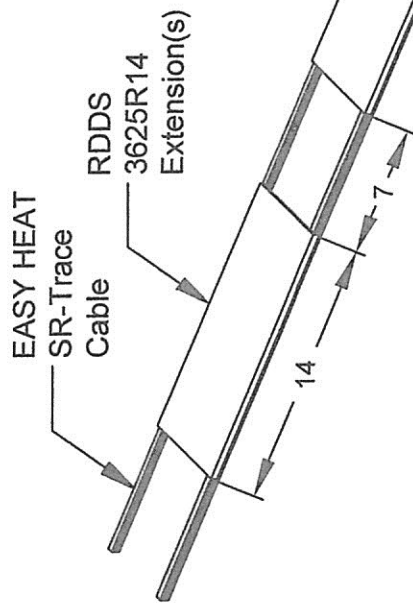
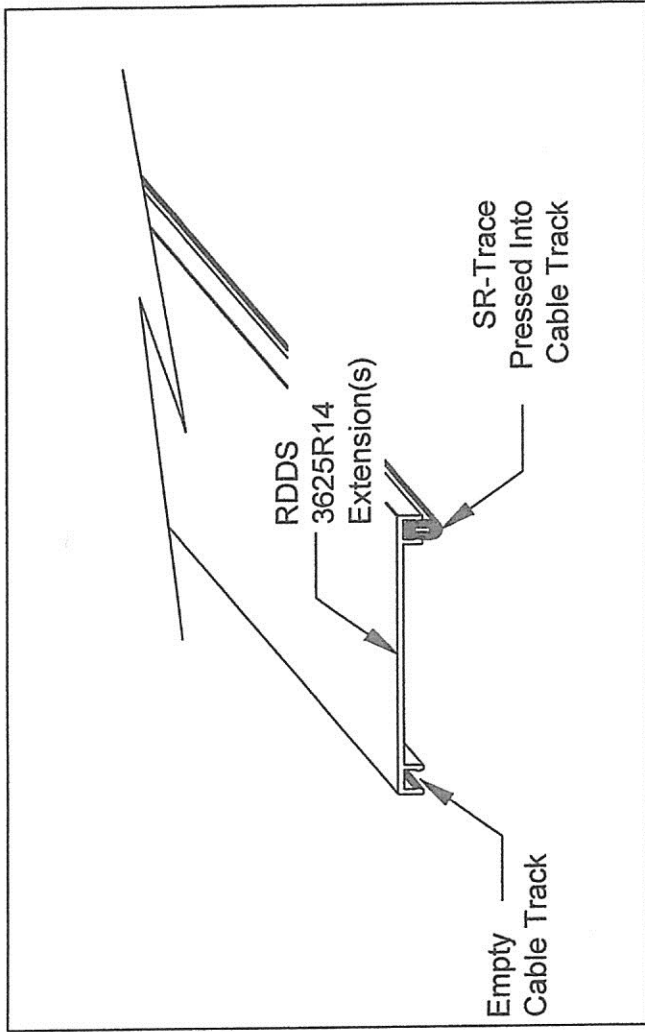
SR-TRACE R&G Cable

Recommend Metallic MSG-1
Sensor Cable to Lie on Roof
Fabric

PLANVIEW
STEP - 13

(Component Parts of Drain De-Icing Application)

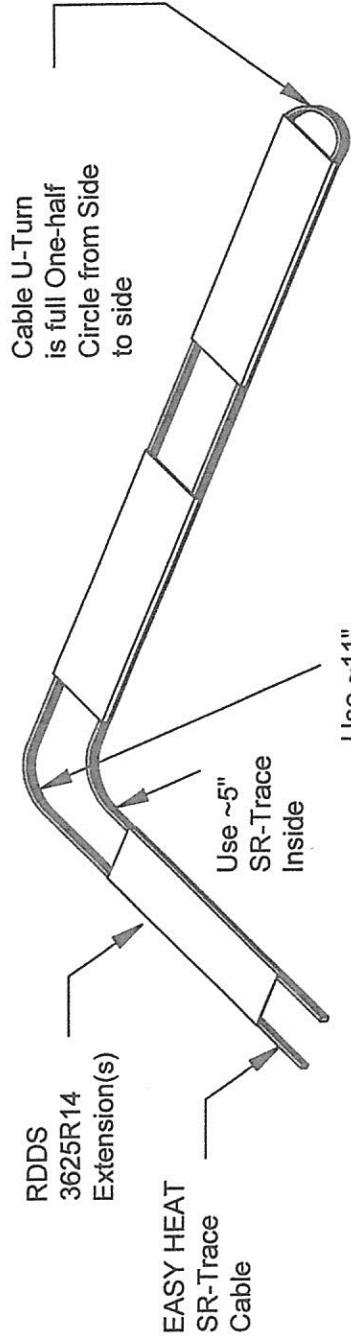
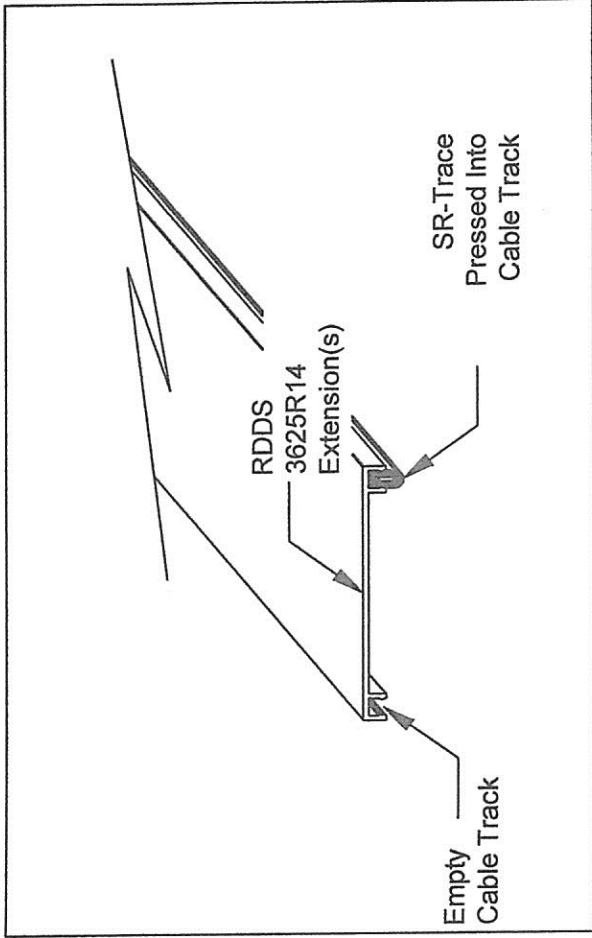




Connect as many 3625R14 in series as needed to produce desired length

EXTENSION RUN Appendix - A





Ratio of Inside & Outside
SR-Trace Cable Lengths
Determine Angle of Turn

EXTENSION RUN w/ TURN Appendix - B

